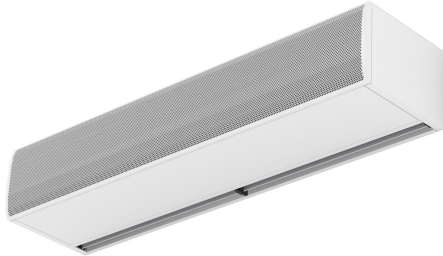




## Egenskaper

Air curtain specially in applications with extrem cold and/or humidity and/or corrosion conditions. KOOL is a compact and small dimension air curtain with a timeless design and pleasing to the eye. Thanks to the air discharge design, KOOL air curtain ensures a low turbulence and high velocity air jet, thus efficiently separating spaces with high temperature differences.



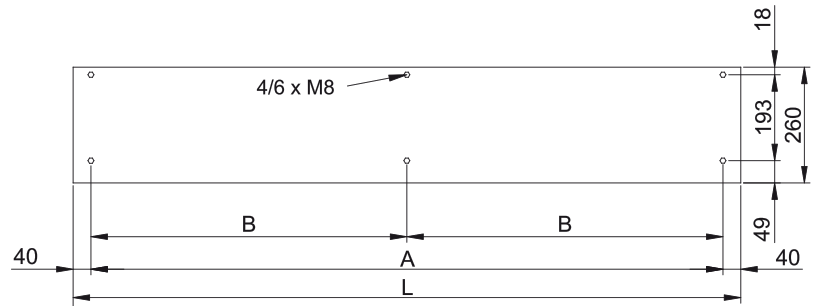
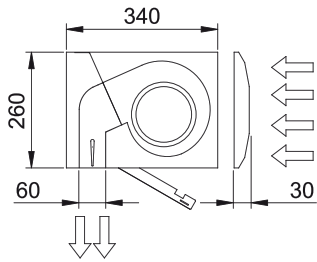
- Specially recommended in applications with extrem cold and/or humidity and/or corrosion conditions.
- Self-supporting casing construction made of galvanized steel plate, finished in structural epoxy-polyester painting white colour RAL9016 as standard. Other colours or stainless steel are available on request.
- Large faceted inlet grille avoiding intensive maintenance. Also available with flat micro-perforated inlet grille, more elegant for commercial doors where heating is not needed.
- Anodized aluminium outlet vanes, airfoil shaped, adjustable from 0 to 15° each side.
- Double-inlet centrifugal fans driven by an external rotor motor and low noise level with special IP55 protection made by: sealed bearings, encapsulate stator and wire sealed with silicone. 5-speed selector.
- Includes IP55 waterproof case for electronic components and transformer and all wire connections, including IP68 press releases.
- IMPORTANT: The electronic and transformer waterproof case cannot be assembled inside the air curtain. The customer should look for a place outside the air curtain. The dimensions of this case are 170x225x150mm.
- Includes Plug&Play control with 7m RJ45 cable and infrared remote control. Optional: Clever control (programmable, automatic, intelligent, energy saving, Modbus RTU for BMS...)

## Specifikationer

50Hz

Modell	ouppvärmd	
	Nominellt luftflöde (m <sup>3</sup> /h)	Rekommenderad installationshöjd (m)
KM 1000 A IP55	1700	2,5-3,5
KM 1500 A IP55	2550	2,5-3,5
KM 2000 A IP55	3400	2,5-3,5
KM 2500 A IP55	4250	2,5-3,5
KM 3000 A IP55	5100	2,5-3,5
KG 1000 A IP55	2400	3-4
KG 1500 A IP55	3200	3-4
KG 2000 A IP55	4800	3-4
KG 2500 A IP55	5600	3-4
KG 3000 A IP55	6400	3-4

Dimensioner



L	A	B
1000	920	-
1500	1420	710
2000	1920	960
2500	2420	1210
3000	2920	1460

